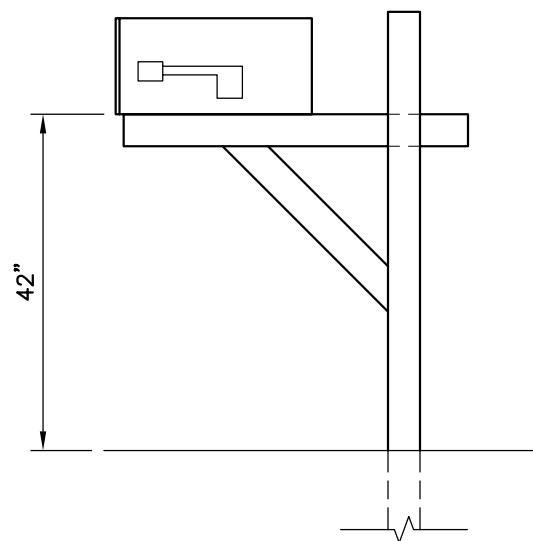
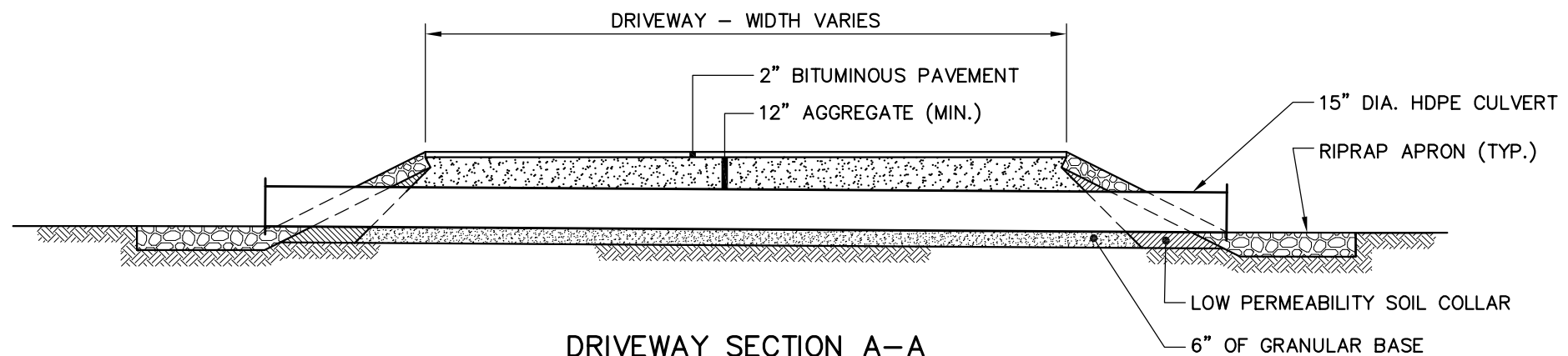


**DRIVEWAY PLAN**



**TYPICAL MAILBOX**



**DRIVEWAY SECTION A-A**

**TYPICAL DRIVEWAY  
CULVERT DETAIL**

DESIGNED BY: DRG  
DRAWN BY: JBC  
CHECKED BY: DRG  
culvert\_detail.dwg

TOWN OF OLD ORCHARD BEACH  
OLD ORCHARD BEACH, MAINE

GENERAL ENGINEERING SERVICES

JOB NO: 203424.00  
DATE: OCTOBER 2005  
SCALE: 1" = 5'

Driveway Detail