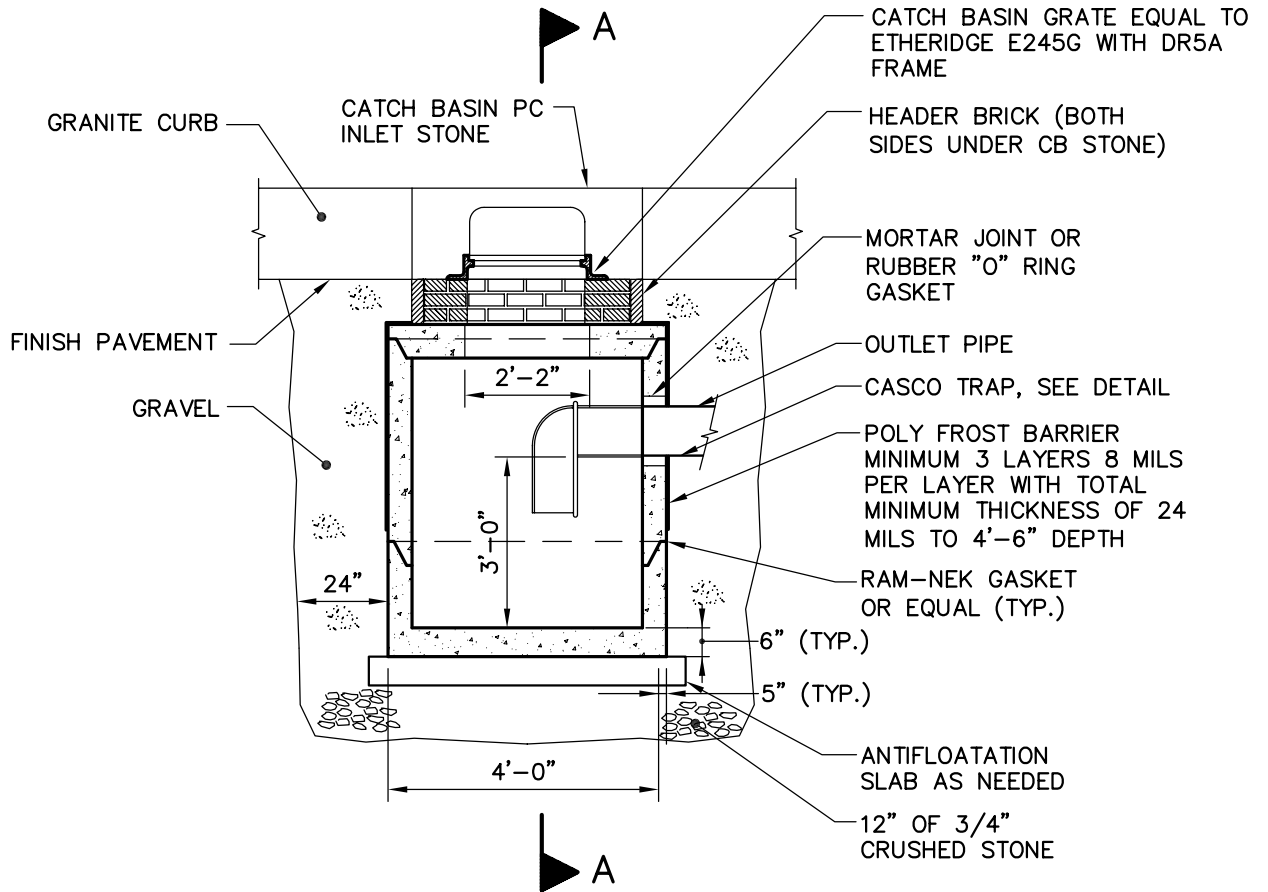


SECTION A-A



CROSS SECTION

OLD ORCHARD BEACH, PUBLIC WORKS DEPARTMENT
 103 Smithwheel Road, Old Orchard Beach, ME. 04064
 Phone: 934-2250 Fax: 934-5323



CURBSIDE CATCH BASIN

DATE: Mar 16, 2006

SCALE: NOT TO SCALE